

# CS3000™ Crane Scales

Cost-Effective Solution for High Capacity, Overhead Weighing



## ***Rugged Crane Scale Built to Thrive in Harsh Environments.***

Available in capacities ranging from 2,000lb (1,000kg) to 100,000lb (50,000kg), the CS3000™ crane scale features fully integrated RFX™ Wireless Weighing Technology and is built to thrive in harsh environments. All crane unit electronics are shock-mounted in a weatherproof case and provide maximum protection against moisture, dust and rough usage. Commercially available batteries offer industry leading battery life, minimizing down time due to battery charging or replacement.

**Intercomp**  
advanced weighing technology... by any measure

# CS3000™ Crane Scales

Accuracy of  $\pm 0.1\%$  of Reading

Available in Capacities to 100,000lbs (50,000kgs)

Commercially Available Alkaline D-Cell Batteries Last up to 3,000 Hours in LCD Scale, 500 Hours in LED (included)



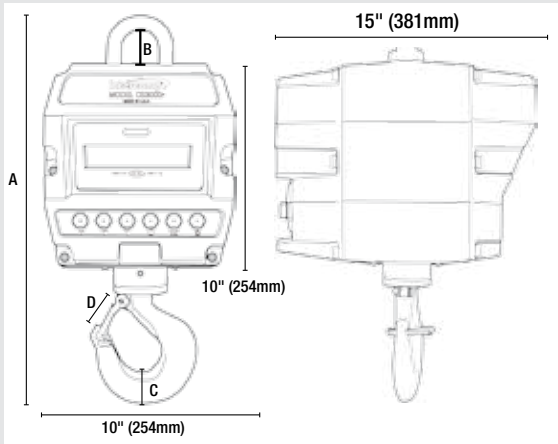
Large, Easy-to-Read, LCD Display

Large, 1.5" High Visibility LED Display



### Includes:

- Alkaline Batteries
- Top Eye Hook
- Bottom Swivel Hook
- Infrared Remote Control with Batteries



CAPACITY	A*	B*	C*	D*
2,000lb (1,000kg)	19.3" (490mm)	3.06" (77mm)	1.44" (35mm)	1.41" (36mm)
5,000lb (2,500kg)	22" (558mm)	3.06" (77mm)	1.82" (45mm)	1.69" (43mm)
10,000lb (5,000kg)	22" (558mm)	3.06" (77mm)	1.82" (45mm)	1.69" (43mm)
20,000lb (10,000kg)	37.15" (944mm)	6.25" (159mm)	2.6" (66mm)	2.41" (61mm)
30,000lb (15,000kg)	39.15" (994mm)	6.25" (159mm)	3" (76mm)	3.19" (81mm)
50,000lb (25,000kg)	43.5" (1,105mm)	6" (152mm)	3.66" (93mm)	3.62" (92mm)
70,000lb (35,000kg)	47.56" (1,208mm)	6" (152mm)	4.56" (116mm)	3.75" (92mm)
100,000lb (50,000kg)	53" (1,347mm)	7.75" (197mm)	5.06" (129mm)	4.25" (108mm)

\*Specs are based on industry-standards, please call if your application has precise measurement requirements.

## Performance

Accuracy:  $\pm 0.1\%$  of Reading

### Controls

General: Zero, lb/kg, Mode, Accum Total, Tare, On/Off  
 Display: LCD or LED  
 Characters: LCD - 1" (25mm)  
 LED - 1.5" (38mm)

### Options & Accessories:

- RS232 Serial Output & Direct Power Connector
- External Battery Charger
- Rechargeable Batteries
- Direct Power Cable (120/220V)
- Serial Output Cable, RS232/USB
- Thermal Printer

### Environmental

Humidity: 10 to 95% Non-Condensing  
 Temperature: Operating: -20° F to 150° F (-28° C to 65° C)  
 Storage: -40° F to 170° F (-40° C to 75° C)

### Physical

Overload: 200% of Capacity

### Electrical

Battery: 8 x D-Sized Alkaline  
 Battery Life: LED: 500 Hours (9,000 Hours in Stand-By)  
 LCD: 3,000 Hours (9,000 Hours in Stand-By)

info@intercompcompany.com

Worldwide: +1 763-476-2531

Toll Free: 800-328-3336



intercompcompany.com

Specifications subject to change without notice.

CE ISO 9001:2008 Registered



Printed in the U.S.A.

700714